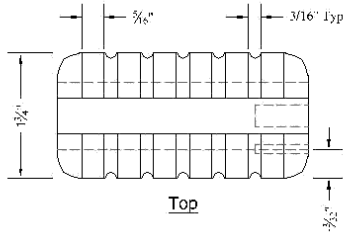


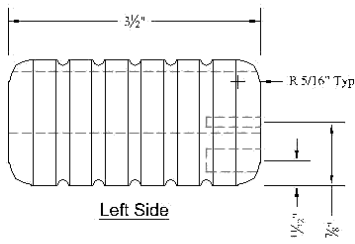
Proline Sterling STP Pump Handle

Scale 1:1

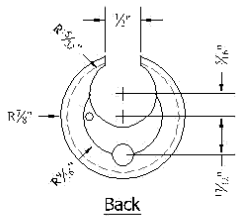
The larger threaded hole on the rear accepts the pump rod going to the hammer assembly. The outer diameter is approximately 5/16".
 The smaller hole accepts the pump rod going to the bolt at the back of the marker. The outer diameter is approximately 1/8".
 Note: Depths are estimated.



Top



Left Side

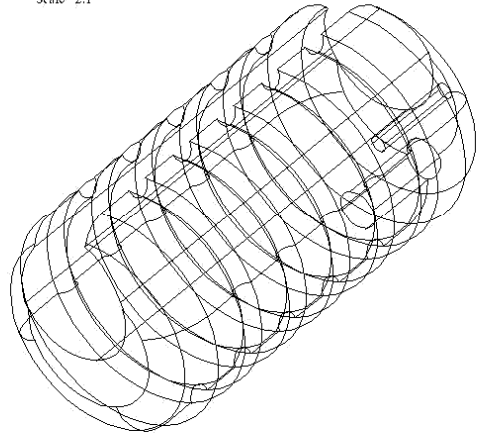


Back

Drawn by Fred Klein

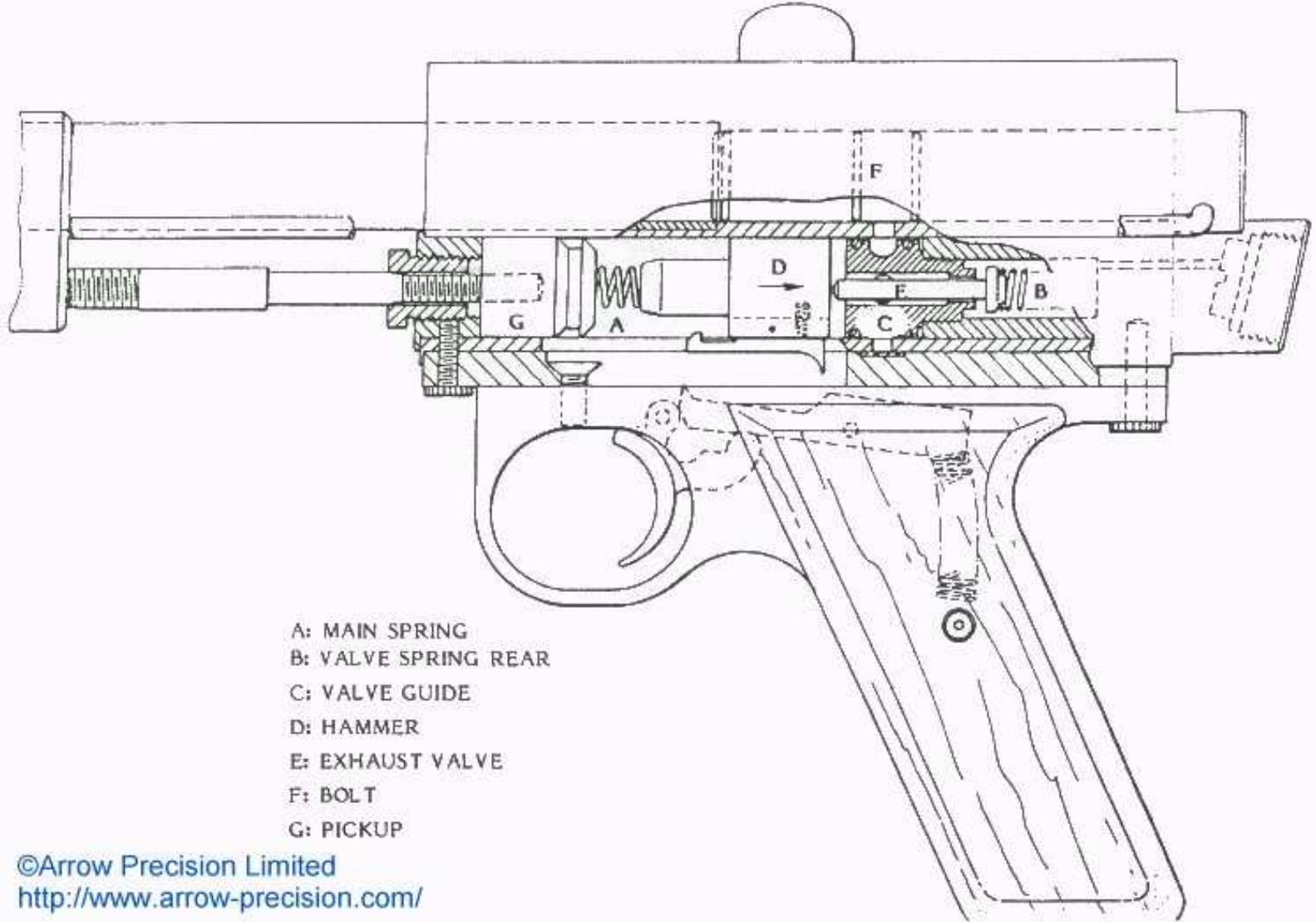
Proline Sterling STP Pump Handle

Scale 2:1



3D Model

Drawn by Fred Klein



- A: MAIN SPRING
- B: VALVE SPRING REAR
- C: VALVE GUIDE
- D: HAMMER
- E: EXHAUST VALVE
- F: BOLT
- G: PICKUP

©Arrow Precision Limited
<http://www.arrow-precision.com/>



©Kwoklea Wu
http://www.geocities.com/lea_wu

Manuals Provided by: <http://www.mcarterbrown.com>